

MT04 Series Mini-Actuator

by Max-Air Technology



Max-Air Technology has extended their product offering with the introduction of their smallest actuator to date—the MT04. This new aluminum body unit is currently only available in double acting configuration, with a torque output of 80 in-lbs with an air supply source of 80 PSI. The MT04 is well suited for instrumentation valves, tube mounted valves, and other low torque applications. There are many beneficial features of the MT04 that make it the right actuator for your application including:

- Highly suitable for instrumentation valves
- Double Acting configuration
- 1/8" NPT air connection ports
- Travel stops (open position $\pm 5^\circ$)
- F03 ISO mounting
- NAMUR mounting for accessories
- Honed piston bore
- Spring Return and 180° units in development

THIS NEW ADDITION OFFERS A COMPACT AND ECONOMICAL SOLUTION FOR LOW-TORQUE APPLICATIONS

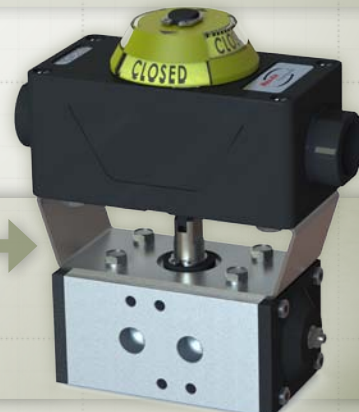
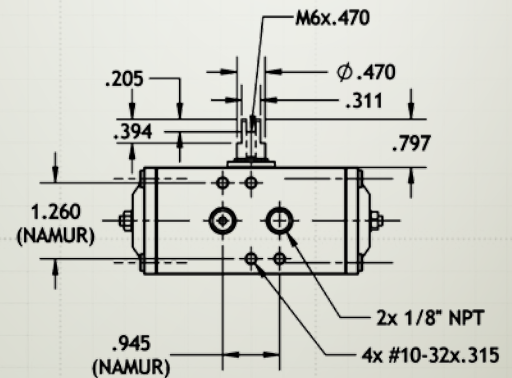


Mini SMART BEACON Option Available

The SMART BEACON was designed to provide both clear visual indication and flexible sensing-head configuration for all types of rotary valve applications, including 2-way and 3-way multi-port valves, and compatible with a wide variety of inductive type sensors, including those manufactured by IFM, Türck, and Pepperl + Fuchs.



The MT04 units have 1/8" NPT air connection ports which are smaller than the standard 1/4" NPT connections on most Max-Air actuators, making them ideal for instrumentation applications.



A custom bracket is available for mounting the MS41-2 limit switch to the MT04 25mm x 50mm pattern.



Toll Free: 888.842.9998
Toll Free Fax: 866.842.3144
info@max-airtechnology.com
www.max-airtechnology.com