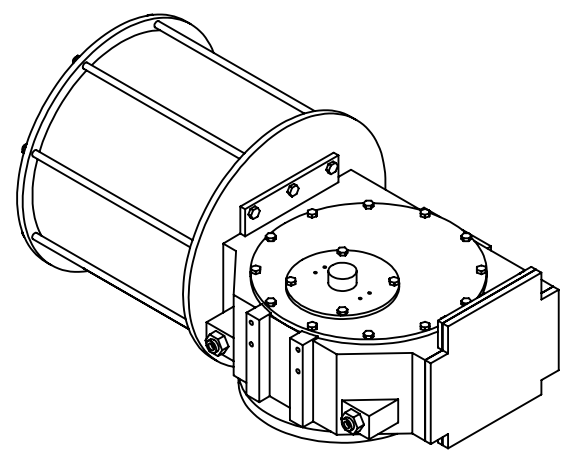


Model	Connect Flange	L	L1	m1	m2	A	B	D	Pressure Port
SY14-DA-20-F14	F14	23.4	17.7	3.4	7.4	2.4	3.5	10.0	3/8"
SY14-DA-25-F14		23.4	17.7	3.4	8.4	2.4	3.5	12.0	1/2"
SY14-DA-30-F14		23.4	17.7	3.4	9.4	2.4	3.5	14.0	1/2"
SY16-DA-25-F16	F16	26.7	19.6	4.1	8.8	2.8	3.6	12.0	1/2"
SY16-DA-30-F16		26.7	19.6	4.1	9.7	2.8	3.6	14.0	1/2"
SY16-DA-35-F16		26.7	19.6	4.1	10.7	2.8	3.6	15.9	1/2"
SY25-DA-35-F25	F25	30.2	21.9	5.9	11.5	3.5	4.1	15.9	1/2"
SY25-DA-40-F25		30.2	21.9	5.9	12.5	3.5	4.1	17.9	3/4"
SY25-DA-45-F25		30.2	21.9	5.9	13.8	3.5	4.1	20.5	3/4"
SY30-DA-45-F30	F30	36.3	26.1	6.9	14.6	4.3	5.1	20.5	3/4"
SY30-DA-50-F30		36.3	26.1	6.9	15.6	4.3	5.1	22.4	3/4"
SY30-DA-55-F30		36.3	26.1	6.9	16.5	4.3	5.1	24.4	3/4"
SY35-DA-55-F35	F35	44.5	32.2	8.2	17.7	5.5	6.5	24.4	1"
SY35-DA-60-F35		44.5	32.2	8.2	17.7	5.5	6.5	26.4	1"
SY35-DA-70-F35		44.5	32.2	8.2	18.7	5.5	6.5	30.3	1"
SY40-DA-60-F40	F40	52.0	37.8	9.4	19.9	6.7	7.9	26.4	1"
SY40-DA-70-F40		52.0	37.8	9.4	21.9	6.7	7.9	30.3	1"
SY40-DA-80-F40		52.0	37.8	9.4	23.9	6.7	7.9	34.4	1-1/2"
SY48-DA-80-F48	F48	62.2	44.5	11.0	25.1	7.9	8.3	34.4	1-1/2"
SY48-DA-90-F48		62.2	44.5	11.0	27.1	7.9	8.3	38.4	2"
SY48-DA-100-F48		62.2	44.5	11.0	31.0	7.9	8.3	42.3	2"
SY60-DA-80-F60	F60	77.2	54.3	13.5	27.9	10.6	9.1	34.4	1-1/2"
SY60-DA-90-F60		77.2	54.3	13.5	29.8	10.6	9.1	38.4	2"
SY60-DA-100-F60		77.2	54.3	13.5	31.8	10.6	9.1	42.3	2"
SY60-DA-110-F60		77.2	54.3	13.5	33.8	10.6	9.1	46.3	2"



Max-Air Technology, Inc.
 751 Hoff Road
 O'Fallon, MO 63366
 (888) 842-9998
 www.max-airtechnology.com

	NAME	DATE
DRAWN	SE	2/15/10
CHECKED	JE	2/15/10
ENG APPR.		
MFG APPR.		

PROPRIETARY AND CONFIDENTIAL
 THE INFORMATION CONTAINED IN THIS DRAWING IS THE SOLE PROPERTY OF MAX-AIR TECHNOLOGY, INC. ANY REPRODUCTION IN PART OR AS A WHOLE WITHOUT THE WRITTEN PERMISSION OF MAX-AIR TECHNOLOGY, INC., IS PROHIBITED.

TITLE: SY Series Scotch Yoke Double Acting Pneumatic Actuators (SY-14 - SY-60)

SIZE	DWG. NO.	REV
B	MA-10-01-1003	

SCALE: 1:5 WEIGHT: SHEET 1 OF 1