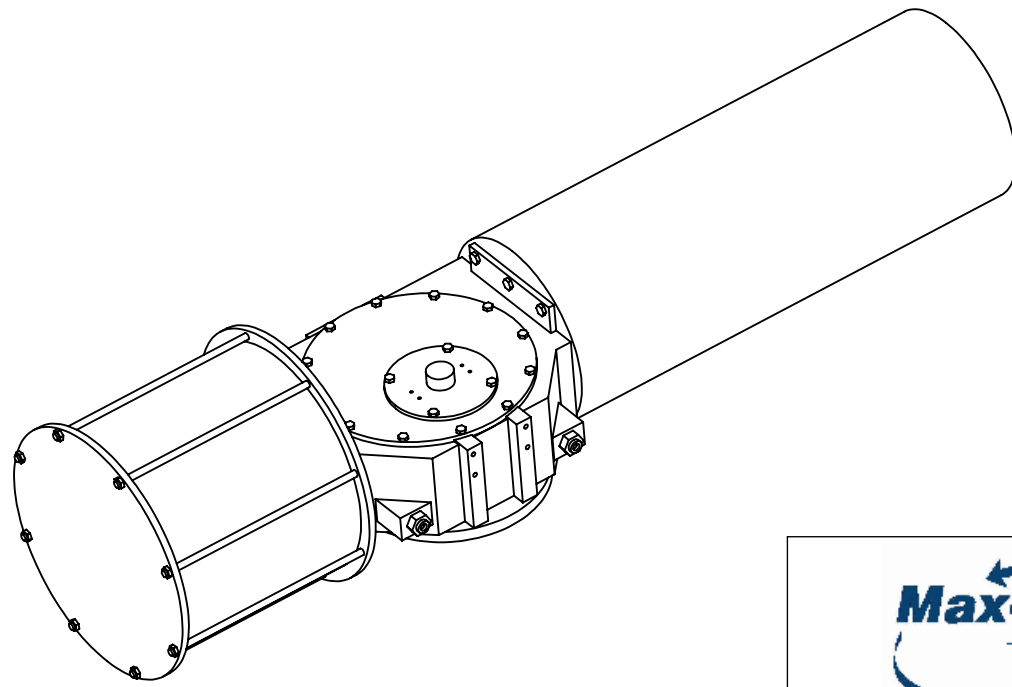


Model	Connect Flange	L	L0	m1	m2	A	B	D	Pressure Port
SY14-SR*-20-F14	F14	43.5	17.7	3.4	7.4	2.4	3.5	10.0	3/8"
SY14-SR*-25-F14		43.5	17.7	3.4	8.4	2.4	3.5	12.0	1/2"
SY14-SR*-30-F14		44.3	17.7	3.4	9.4	2.4	3.5	14.0	1/2"
SY16-SR*-25-F16	F16	50.7	19.6	4.1	8.8	2.8	3.6	12.0	1/2"
SY16-SR*-30-F14		50.7	19.6	4.1	9.7	2.8	3.6	14.0	1/2"
SY16-SR*-35-F16		51.9	19.6	4.1	10.7	2.8	3.6	15.9	1/2"
SY25-SR*-35-F25	F25	62.0	21.9	5.9	11.5	3.5	4.1	15.9	1/2"
SY25-SR*-40-F25		62.0	21.9	5.9	12.5	3.5	4.1	17.9	3/4"
SY25-SR*-45-F25		65.9	21.9	5.9	13.8	3.5	4.1	20.5	3/4"
SY30-SR*-45-F30	F30	71.1	26.1	6.9	14.6	4.3	5.1	20.5	3/4"
SY30-SR*-50-F30		71.1	26.1	6.9	15.6	4.3	5.1	22.4	3/4"
SY30-SR*-55-F30		71.1	26.1	6.9	16.5	4.3	5.1	24.4	3/4"
SY35-SR*-55-F35	F35	78.9	32.2	8.2	17.7	5.5	6.5	24.4	1"
SY35-SR*-60-F35		78.9	32.2	8.2	17.7	5.5	6.5	26.4	1"
SY35-SR*-70-F35		78.9	32.2	8.2	18.7	5.5	6.5	30.3	1"
SY35-SR*-60-F35	F40	106.1	37.8	9.4	19.9	6.7	7.9	26.4	1"
SY35-SR*-70-F35		106.1	37.8	9.4	21.9	6.7	7.9	30.3	1"
SY40-SR*-80-F40		106.1	37.8	9.4	23.9	6.7	7.9	34.4	1-1/2"
SY48-SR*-80-F48	F48	133.7	44.5	11.0	25.1	7.9	8.3	34.4	1-1/2"
SY48-SR*-90-F48		133.7	44.5	11.0	27.1	7.9	8.3	38.4	2"
SY48-SR*-100-F48		141.1	44.5	11.0	31.0	7.9	8.3	42.3	2"
SY60-SR*-80-F60	F60	164.8	54.3	13.5	27.9	10.6	9.1	34.4	1-1/2"
SY60-SR*-90-F60		164.8	54.3	13.5	29.8	10.6	9.1	38.4	2"
SY60-SR*-100-F60		187.0	54.3	13.5	31.8	10.6	9.1	42.3	2"
SY60-SR*-110-F60		187.0	54.3	13.5	33.8	10.6	9.1	46.3	2"



Max-Air Technology, Inc.
 751 Hoff Road
 O'Fallon, MO 63366
 (888) 842-9998
 www.max-airtechnology.com

	NAME	DATE
DRAWN	SE	2/15/10
CHECKED	JE	2/15/10
ENG APPR.		
MFG APPR.		

PROPRIETARY AND CONFIDENTIAL
 THE INFORMATION CONTAINED IN THIS DRAWING IS THE SOLE PROPERTY OF MAX-AIR TECHNOLOGY, INC. ANY REPRODUCTION IN PART OR AS A WHOLE WITHOUT THE WRITTEN PERMISSION OF MAX-AIR TECHNOLOGY, INC., IS PROHIBITED.

TITLE: SY Series Scotch Yoke Spring Return Pneumatic Actuators (SY-14 - SY-60)		
SIZE B	DWG. NO. MA-10-01-1004	REV
SCALE: 1:10	WEIGHT:	SHEET 1 OF 1