

NEMA 4, 4X ALUMINUM LIMIT SWITCH BOX



FEATURES

"Quick Set" cams

The operating position of the switches can be easily changed by adjusting the high resolution spline cams manually and independently without the need for additional tools (cam closed - up, cam open - down)

Compact Design

The Max-Air MS41-2-AL is a very compact limit switch box, minimizing valve package envelope size

Easy Wiring

MS41-2-AL is equipped with 2 standard conduit entries 1/2" NPT and 1 terminal strip with 8 point

High Visibility Indicator

Our indicator offers clear location of the current valve position

Captive Cover Bolts

Designed to be capted into the cover

Mounting Bracket

Adjusting NAMUR steel bracket supplied as standard with the necessary hardware for ease in mounting onto the actuator



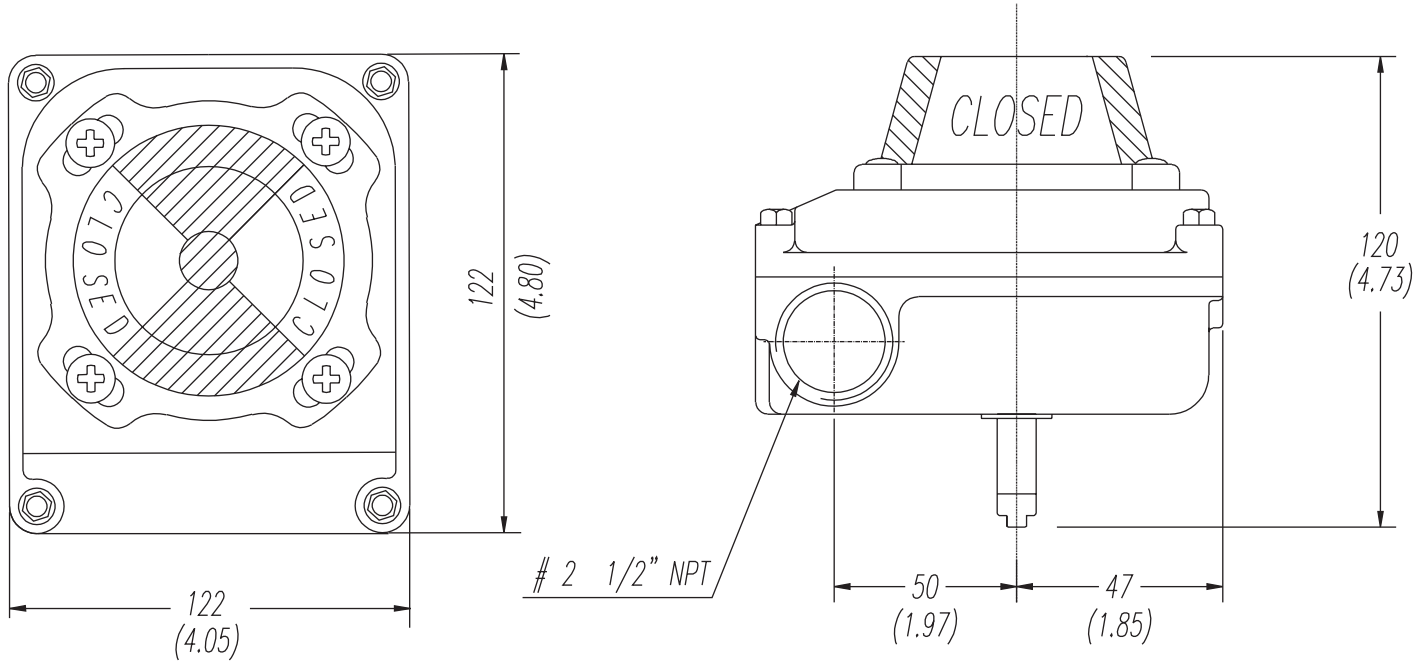
MATERIALS

Item	Material
Visual Indicator	Polycarbonate
Housing	Die Cast Aluminum Epoxy Powder Coated
Shaft	AISI 304 Stainless Steel
Fasteners	AISI 304 Stainless Steel
Seals	Nitrilic Rubber NBR
Cams	Polycarbonate
Spring	AISI 304 Stainless Steel

Max-Air TECHNOLOGY INC.

751 Hoff Road - O'Fallon, Missouri 63366 U.S.A.
www.max-airtechnology.com sales@max-airtechnology.com

DIMENSIONS



WIRING DIAGRAM

Mechanical Switches (2 SPDT)

