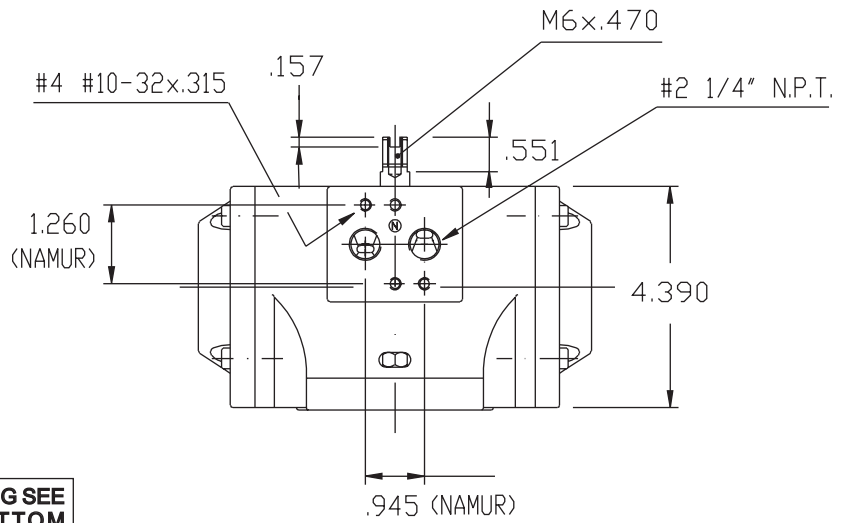
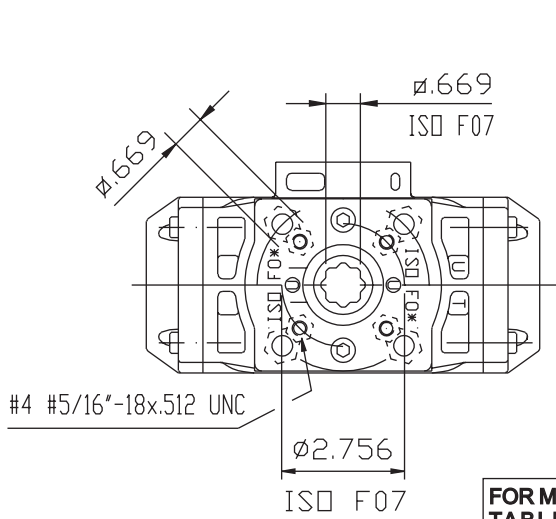


UT-19
TECHNICAL DATA

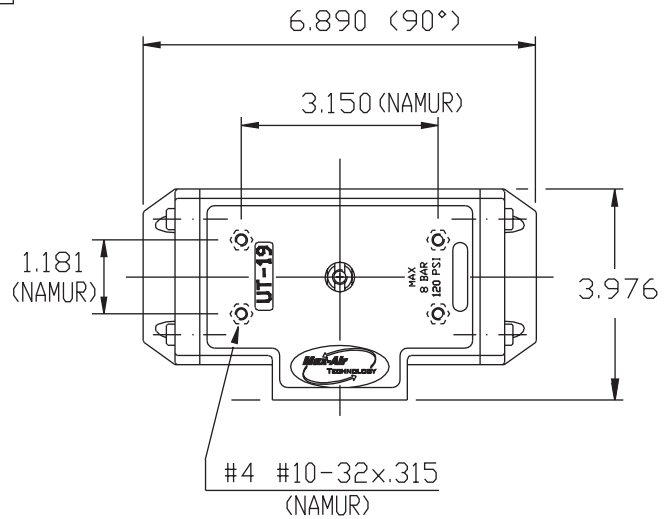
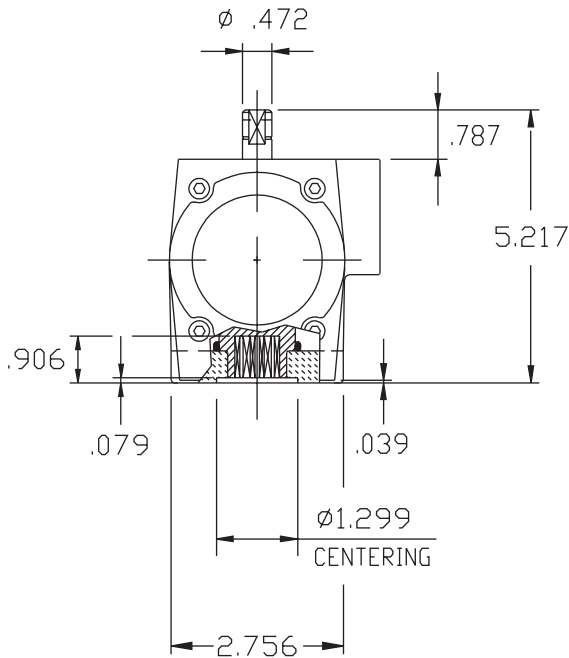


DIMENSIONS TO
 ISO 5211 - DIN 3337
 AND NAMUR VDI/VDE 3845

DIMENSIONS IN INCHES



**FOR MOUNTING SEE
 TABLE "BOTTOM
 MOUNTING PLATE
 DIMENSIONS"**



STANDARD TEMPERATURE -4°F + 194°F

WEIGHT IN L.B.		AIR CONSUMPTION IN CU. IN.	
D.A.	S.R.	D.A.	S.R.
4.343	5.159 (6+6)	40.6	17.5 (6+6)

Max-Air TECHNOLOGY INC.

751 Hoff Road - O'Fallon, Missouri 63366 U.S.A.
 www.max-airtechnology.com sales@max-airtechnology.com