

UT-50

DATI TECNICI

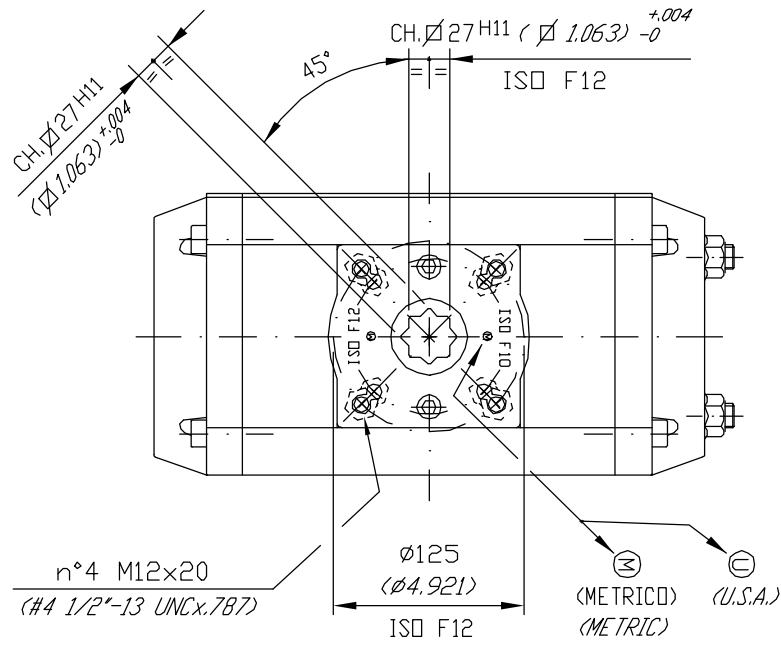
Max-Air
TECHNOLOGY

UT-51

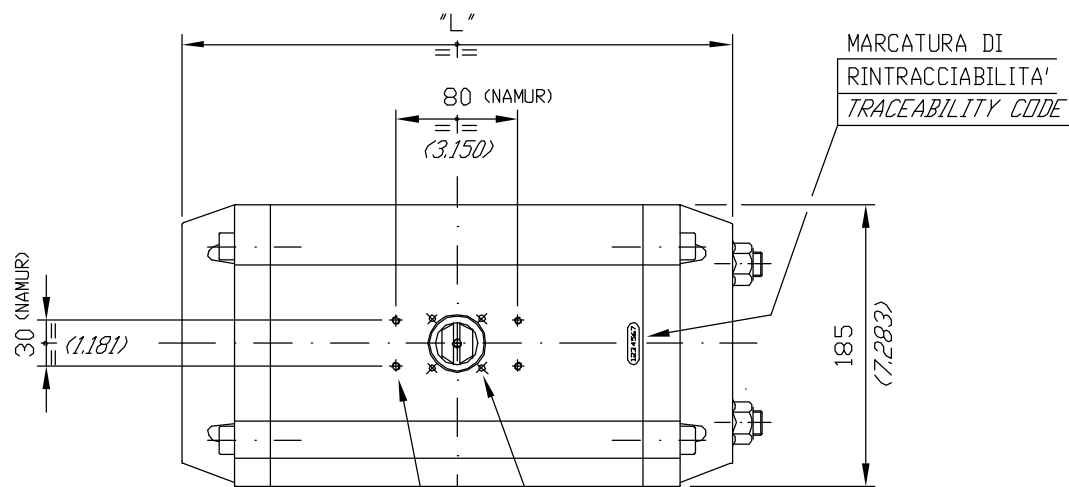
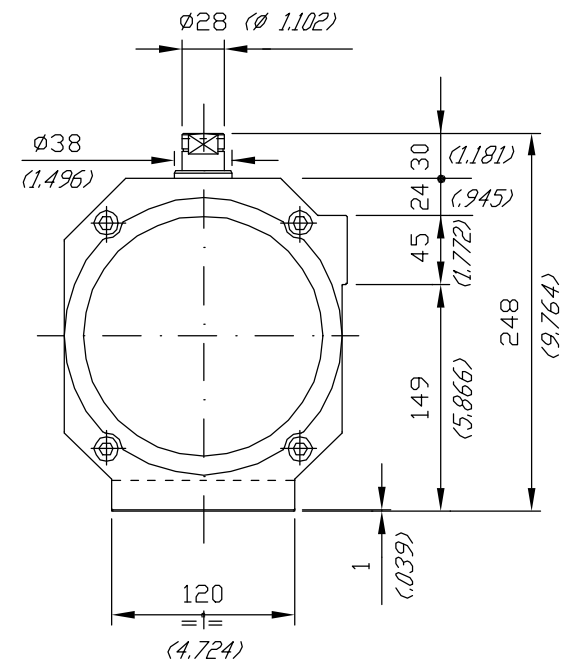
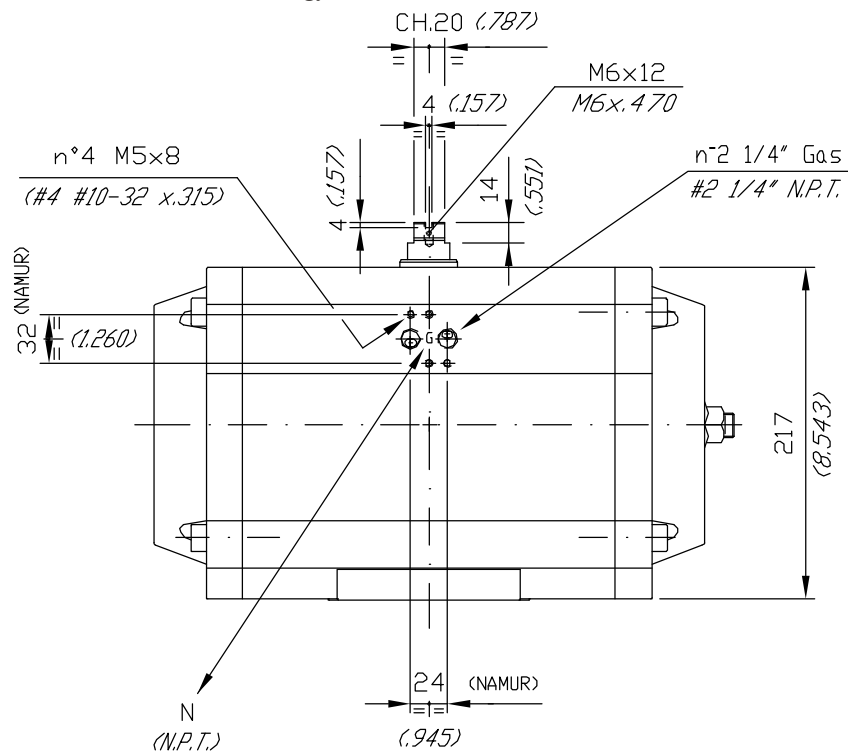
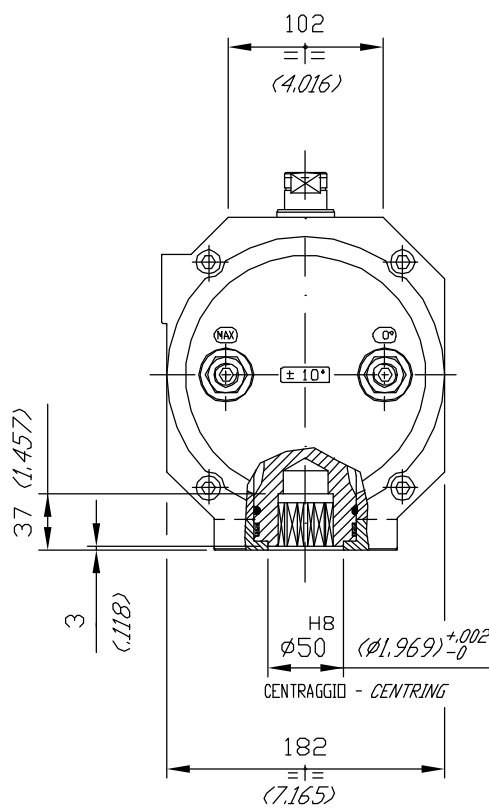
TECHNICAL DATA

CORRISPONDENTE ALLE NORME
ISO 5211 - DIN 3337
E NAMUR VDI / VDE 3845

DIMENSIONS TO
ISO 5211 - DIN 3337
AND NAMUR VDI / VDE 3845



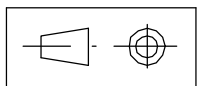
Max-Air
Technology



	90°	120°	135°	150°	180°
"L"	361 (14.213)	401 (15.787)	430 (16.929)	459 (18.071)	499 (19.646)

n°4 M5x8
(#4 #10-32 x .315)
(NAMUR)

n°4 Ø4x5 - (#4 Ø.157x.197)
INTERASSE Ø46
CENTRE DISTANCE Ø46 - (Ø 1.811)



DIMENSIONI IN mm.
DIMENSIONS IN mm. (INCHES)